

Miniature Bending Beam



DESCRIPTION

MBB is designed for low profile platform scales and tank scales in low capacities. It is constructed of high alloy tool steel which offers superior performance in creep characteristics and shock load capabilities over standard aluminum units.

MBB is fully potted and sealed with special chemical compounds to IP66 providing excellent protection against moisture and humidity.

FEATURES

- Capacities: 50, 100, 150, and 250lb
- Low profile for low capacity scales
- Electroless nickel plated alloy tool steel

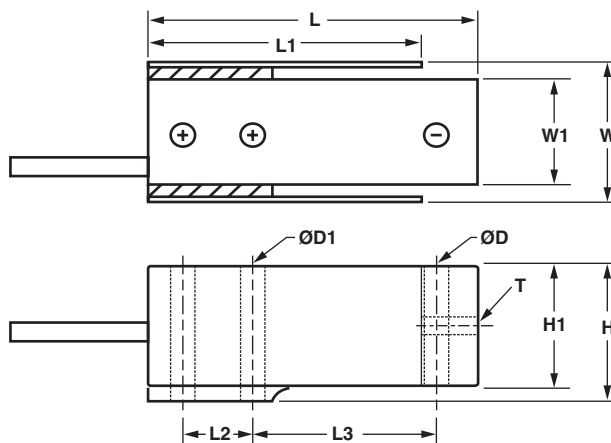
OPTIONAL FEATURE

- FM approval available

APPLICATIONS

- Silo/hopper/tank weighing
- Packaging machines
- Dosing/filling
- Belt scales/conveyor scales

OUTLINE DIMENSIONS



Wiring diagram
 +Excitation Red
 - Excitation Black
 +Signal Green
 - Signal White

All Capacity
 Cable Length: 5' / 1.5m

CAPACITY		L	L1	L2	L3	W	W1	H	H1	D1	D	T
50/100/150lb	mm	60.33	50	12.7	33.66	19.5	12.7	24.8	22.2	4.5	4.5	----
	(inch)	2.38	1.97	0.50	1.33	0.77	0.5	0.98	0.87	0.18	0.18	
250lb	mm	60.33	50	12.7	33.66	25.4	19.05	24.8	22.2	4.5	4.5	----
	(inch)	2.38	1.97	0.50	1.33	1.00	0.75	0.98	0.87	0.18	0.18	
50/100/150lb OL	mm	60.33	50	12.7	33.66	21	12.7	24.8	22.2	4.4	4.4	----
	(inch)	2.38	1.97	0.50	1.33	0.83	0.5	0.98	0.87	0.17	0.17	
100/250lb VT	mm	60.33	50	12.7	33.66	25.4	19.05	24.8	22.2	6.8		----
	(inch)	2.38	1.97	0.50	1.33	1.00	0.75	0.98	0.87	0.26	1/4-20UNF	
100lb BCI	mm	60.33	50	12.7	33.66	25.4	19.05	24.8	22.2	6.4	6.4	----
	(inch)	2.38	1.97	0.50	1.33	1.00	0.75	0.98	0.87	0.25	0.25	
250lb BCI	mm	60.33	50	12.7	33.66	25.4	19.05	24.8	22.2	6.4	4.5	----
	(inch)	2.38	1.97	0.50	1.33	1.00	0.75	0.98	0.87	0.25	0.18	
250lb LT	mm	60.33	50	12.7		25.4	19.05	24.8	22.2	4.4		1/4-28UNF
	(inch)	2.38	1.97	0.50		1.00	0.75	0.98	0.87	0.17		

SPECIFICATIONS		
PARAMETER	VALUE	UNIT
NTEP/OIML Accuracy class	Non-Approved	
Maximum no. of intervals (n)	3000	
$Y = E_{\max}/V_{\min}$	5000	Maximum available
Standard capacities (E_{\max})	50, 100, 150, 250	lbs
Rated output-R.O.	3.0	mV/V
Rated output tolerance	10	±% of rated output
Zero balance	1	±% of rated output
Non linearity	0.030	±% of rated output
Hysteresis	0.030	±% of rated output
Non-repeatability	0.020	±% of rated output
Creep error (20 minutes)	0.030	±% of rated output
Zero return (20 minutes)	0.030	±% of rated output
Temperature effect on min. dead load output	0.0026	±% of rated output/°C
Temperature effect on sensitivity	0.0015	±% of applied load/°C
Compensated temperature range	-10 to +40	°C
Operating temperature range	-20 to +60	°C
Safe overload	150	% of R.C.
Ultimate overload	300	% of R.C.
Excitation, recommended	10	Vdc or Vac rms
Excitation, maximum	15	Vdc or Vac rms
Input impedance	385±5	Ohms
Output impedance	350±3	Ohms
Insulation resistance	>5000	Mega-Ohms
Construction	Nickel plated alloy steel	
Environmental protection	IP66	

All Specifications subject to change without notice.

FM Approval

Intrinsically Safe: Class I, II, III; Div. 1 Groups A-G

Non-Incendive: Class I; Div. 2 Groups A-D

Disclaimer

All product specifications and data are subject to change without notice.

Vishay Precision Group, Inc., its affiliates, agents, and employees, and all persons acting on its or their behalf (collectively, "Vishay Precision Group"), disclaim any and all liability for any errors, inaccuracies or incompleteness contained herein or in any other disclosure relating to any product.

Vishay Precision Group disclaims any and all liability arising out of the use or application of any product described herein or of any information provided herein to the maximum extent permitted by law. The product specifications do not expand or otherwise modify Vishay Precision Group's terms and conditions of purchase, including but not limited to the warranty expressed therein, which apply to these products.

No license, express or implied, by estoppel or otherwise, to any intellectual property rights is granted by this document or by any conduct of Vishay Precision Group.

The products shown herein are not designed for use in medical, life-saving, or life-sustaining applications unless otherwise expressly indicated. Customers using or selling Vishay Precision Group products not expressly indicated for use in such applications do so entirely at their own risk and agree to fully indemnify Vishay Precision Group for any damages arising or resulting from such use or sale. Please contact authorized Vishay Precision Group personnel to obtain written terms and conditions regarding products designed for such applications.

Product names and markings noted herein may be trademarks of their respective owners.